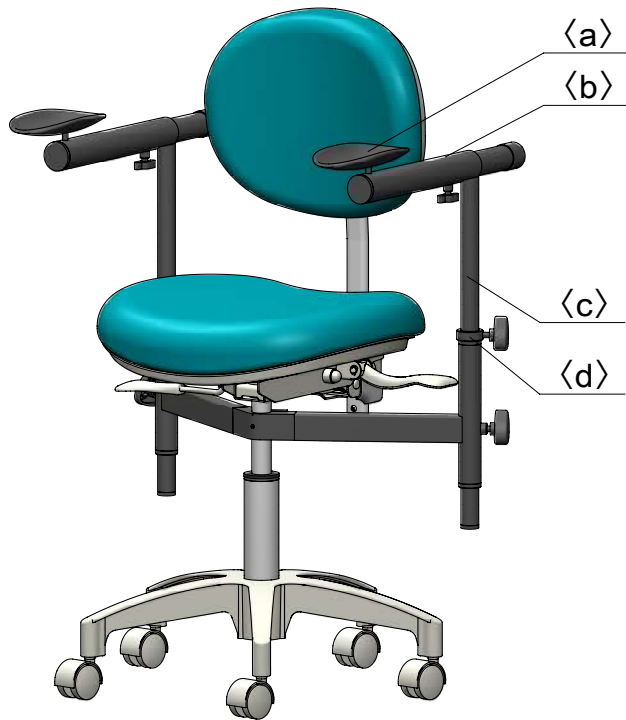
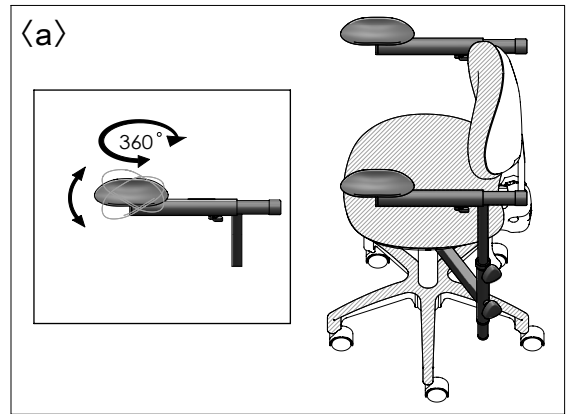


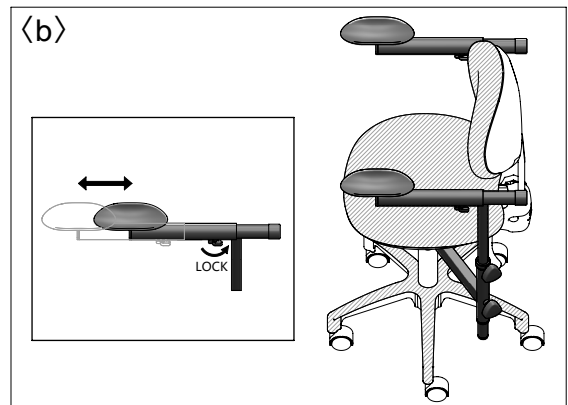
# NAPA 5012-MS



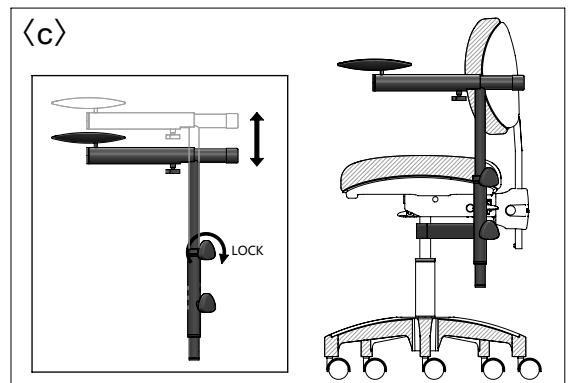
## Four modes on arm multi-functional adjustment:



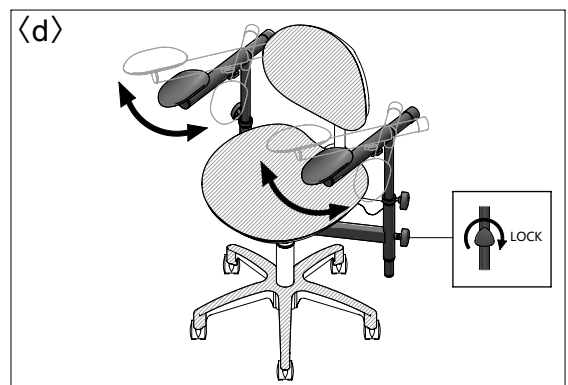
a. Arm pad 360 free movement.



b. Adjust under arm toggle screw for fore+aft movement and tighten to lock in any position.



c. Adjust handwheel and tighten to desired height position.



d. Adjust this handwheel and tighten for lateral movement.

## Four modes adjustment on stool:

1. Seat with 5 degrees of forward tilt and 6 degrees rearward.
2. Back with 24 degrees of movement with 10 degrees forward and 14 degrees rearward.
3. Back with height adjustment.
4. Seat height adjustment.