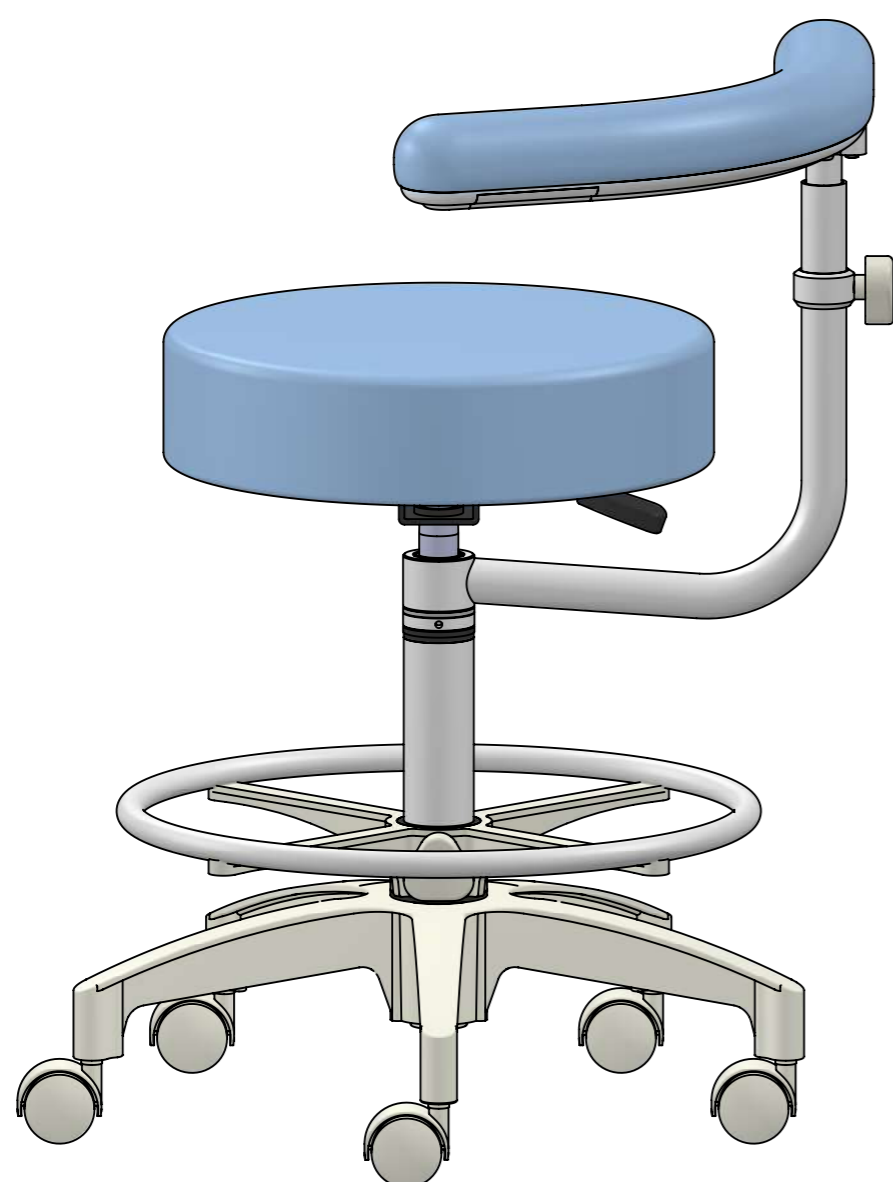
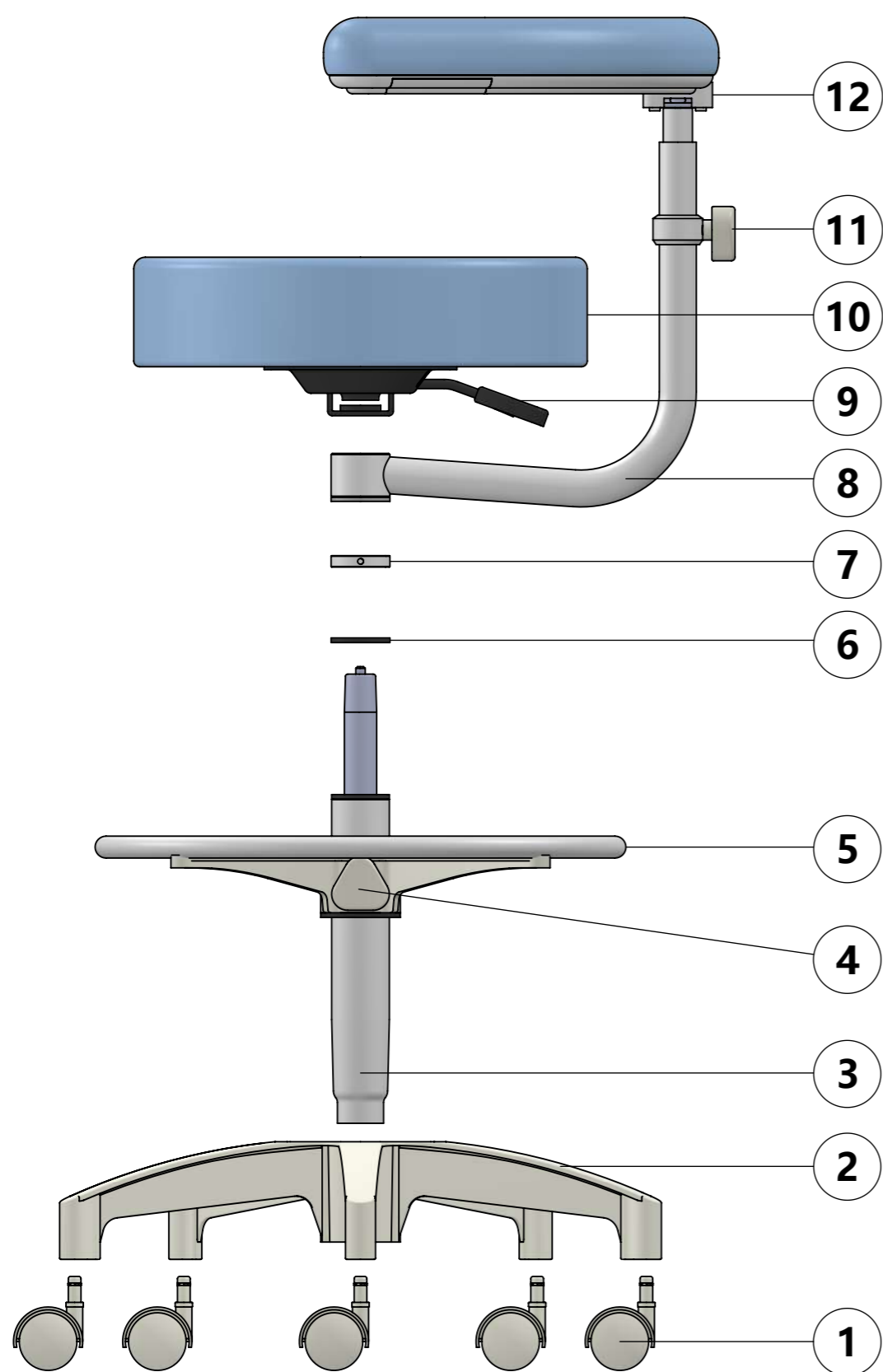


WINBEX[®] NAPA 2103 Assistant Stool Instructions



This stool requires a limited amount of assembly.
Please read the instructions enclosed:

Assembly Instructions

1. Attach wheels (1) onto base (2)
2. Insert gas cylinder (3) into base (2)
3. Place footrest (5) onto gas cylinder (3)
4. Place rubber ring (6) onto gas cylinder (3)
5. Place stopping collar (7) onto gas cylinder (3) to desired height and fasten screws by hexagon key (per attachment)
6. Attach torso support (8) onto gas cylinder (3)
- ▲ Be careful that step 6 is undertaken before attaching seat (10) to gas cylinder (3)
7. Attach seat (10) onto gas cylinder (3)

Stool Function Adjustments

Footrest

The footrest (5) may be adjusted by loosening adjustment knob (4) and sliding the footrest up/down on the gas cylinder (3) and then held in place by hand tightening adjustment knob (4) .

Seat Height

The height of the seat may be adjusted by pulling height adjustment lever (9) upwards and by applying/removing pressure on the seat until the required height is attained.

Torso Support

The torso support (8) may be adjusted independently by loosening adjustment knob (11) and sliding the top section up/down and held in place by hand tightening adjustment knob (11) .

Torso Support

The torso support may also be rotated by disengaging lock mechanism (12) rotating support and re-locking lock mechanism (12) .

WINBEX CORPORATION

95, Nangang 3rd Rd., Nangang Industrial Park,
Nantou City 54067, Taiwan

T/ +886-49-2260938 F/ +886-49-2260431

E/ winbex@winbex.com.tw W/ winbex.com