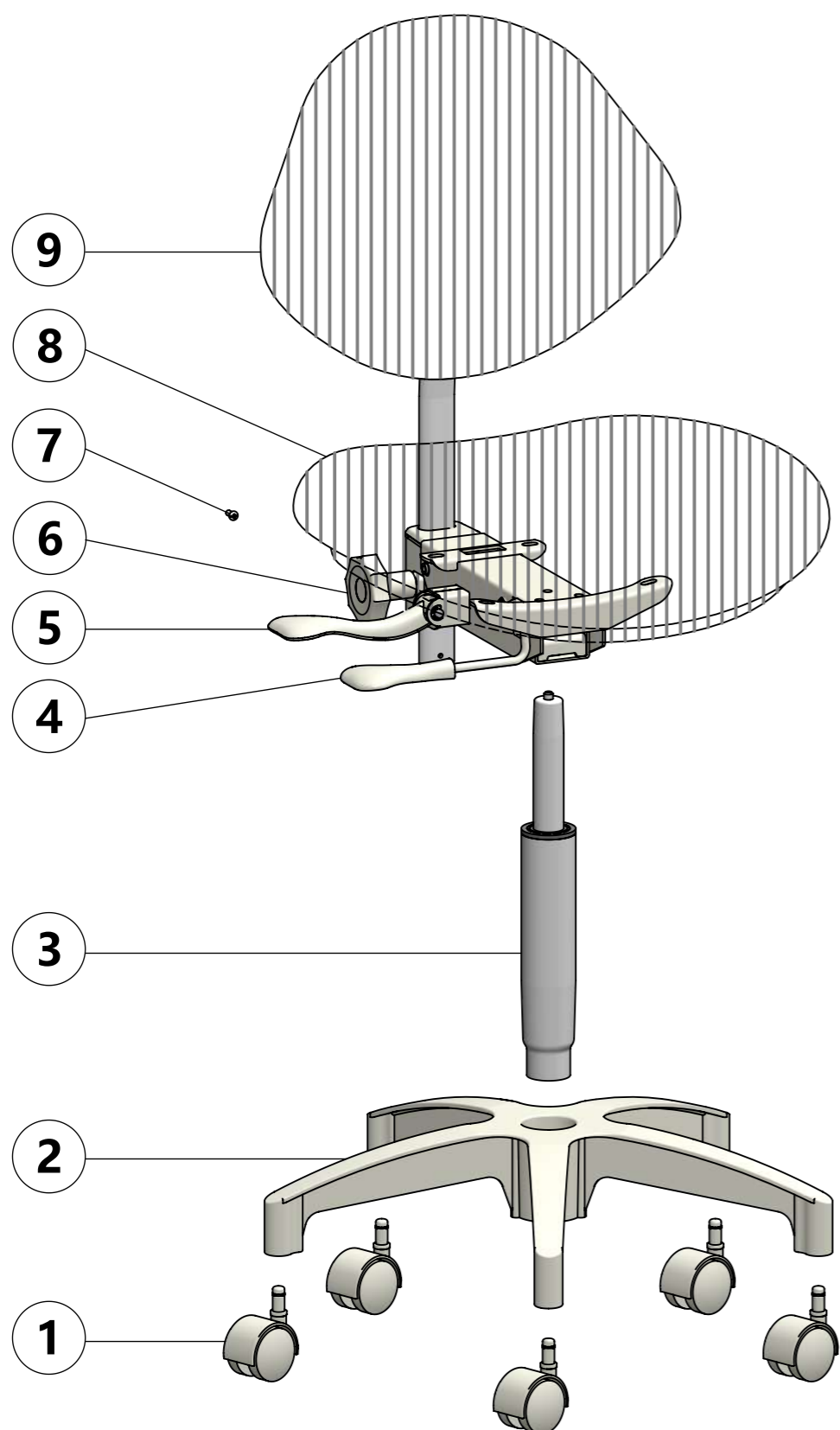


# WINBEX<sup>®</sup> NAPA 1102 Classical Stool Instructions



This stool requires a limited amount of assembly.  
Please read the instructions enclosed:

## Assembly Instructions

1. Attach wheels (1) onto base (2)
2. Insert gas cylinder (3) into base (2)
3. Place seat (8) (with mechanism assembled) onto gas cylinder (3)
4. Remove stopping screw (7) from back and put it aside
- ▲ Be careful that step 4 is undertaken before attaching back (9) (step 5) onto mechanism
5. Attach back upright (9) onto mechanism
6. Place stopping screw (7) back and fasten

## Stool ( Mechanism #500 ) Function Adjustments

### Seat Height

The height of the seat may be adjusted by pulling height adjustment lever (4) upwards and by applying/removing pressure on the seat until the required height is attained.

### Seat Tilt and Back Movement

Seat with 5 degrees of forward tilt and 6 degrees rearward while back with 10 degrees forward movement and 14 degrees rearward.

By pushing handle lever (5) downwards to "free float" all the tilt/movement and pulling upwards to re-lock until the required positions on seat/back is attained.

### Back Height

The height of the back may be adjusted by loosening adjustment knob (6) and sliding the upright tube up/down and held in place by hand tightening adjustment knob (6).

## WINBEX CORPORATION

95, Nangang 3rd Rd., Nangang Industrial Park,  
Nantou City 54067, Taiwan

T/ +886-49-2260938 F/ +886-49-2260431  
E/ winbex@winbex.com.tw W/ winbex.com