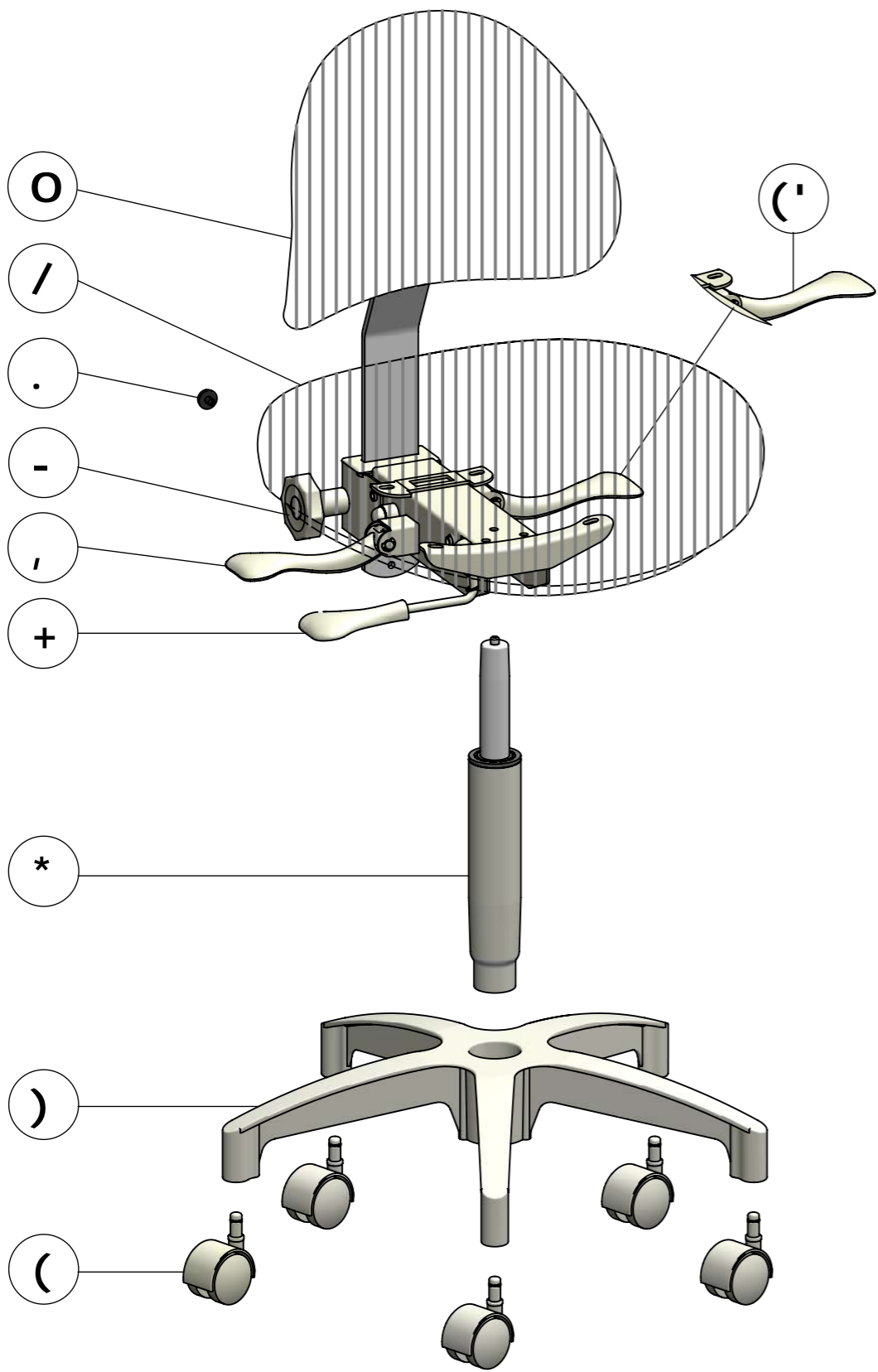


WINBEX® J 9, 5 &\$%

; f Zkf i JKf f c '@j ki Zkf ej



K_j jkf f ci \hl i \j 'X'cd 'k\ 'Xd fl ek' f]'Xjj \d Yφ%

GdXj \i \X['k_\`ej ki Zkf ej \eZdf j \[1

8jj \d Yφ '@j ki Zkf ej

(%8kkXZ_in_\g (f ekf 'YXj \)

)%@j \ik^Xj 'Zpce[\i (* `ekf 'YXj \)

*%GdZ\ j \Xk (/ žn `k_d \Z_Xe`jd 'Xjj \d Yd[ž

''f ekf '^Xj 'Zpce[\i (*

+% \d f m` j kf gg`e^ j Zi \n (Xe['gl k`kXj ` \

▲'9\ ZXi \ | ck_Xkj klg`+`j`l e[\ikXb\ e`Y \] f i \

''XkkXZ_`e^`YXZb (ž klg, ž f ekf `d \Z_Xe`jd

, %8kkXZ_`YXZb`l gi`^`k (f ekf `d \Z_Xe`jd

- %GdZ\ j Zi \n (YXZb`Xe[`]Xj k\ e`

JKf f c`=l eZkf e`8[d j kd \ekj

J \Xk? \^_k

K_\`_\`_kf] k_\`j \Xkd Xp`Y \ X[d j k\ ['Yp`gl cē`^`

_ \^_kX[d j kd \ek`d m i (+ l gn Xi [j `Xe['Yp`

Xggp`e`& \d f mē`^`gi \ j j l i \ `f e`k_\`j \Xk`l ekck_\`

i \hl i \ ['_ \^_k`j` Xkk`e \ [%

J \Xk`K`d

J \Xkn `k_ ; [\^i \ j `f]] f i n Xi [`k d `Xe[` - [\^i \ j `

i \ X i n Xi ['Yp`gl j _`e^`_Xe[d `d m i ([f n e n Xi [j `

kf `i] i \] d `Xk `k_\`k d `Xe['gl cē`^`l gn Xi [j `kf `

l ekck_\` [\Xcn fib`e^`gf j `kf ej `j` Xkk`e \ [%

9XZb`D f m`d \ek

9XZb`n `k_ (' [\^i \ j `f i n Xi [`d f m`d \ek`Xe[` (+

[\^i \ j `i \ X i n Xi ['Yp`gl j _`e^`_Xe[d `d m i ([f n e n Xi [j `

kf `i] i \] d `Xk `k_\`d f m`d \ek`Xe['gl cē`^`l gn Xi [j `kf `

i \ \$f Zb`n _\ e`k_\`i \hl i \ [`gf j `kf e`j` Xkk`e \ [%

9XZb`? \^_k

K_\`_\`_kf] k_\`YXZb`d Xp`Y \ X[d j k\ ['Yp`d f j \ e`e^`

X[d j kd \ek`bef Y (- Xe[`j c[`e^`k_\`l gi`^`k k\ Y \ l g & f n e

Xe[`_d `e`g d Z \ Yp`_Xe[`k^`_k\ e`e^`X[d j kd \ek`bef Y (- %

N @ 9<O: F I GFI 8K@ E

O, #E Xe^Xe^`*i [`l [%E Xe^Xe^`@[l j ki `XcGXib#

E Xekf l : `kp, +` - . #KX`n Xe

K&'' // - \$+O\$) - ' O* / '''' =&'' // - \$+O\$) - ' +* (''''

<&n`eY\o7 n`eY\o%fd %n ''''N &n`eY\o%fd