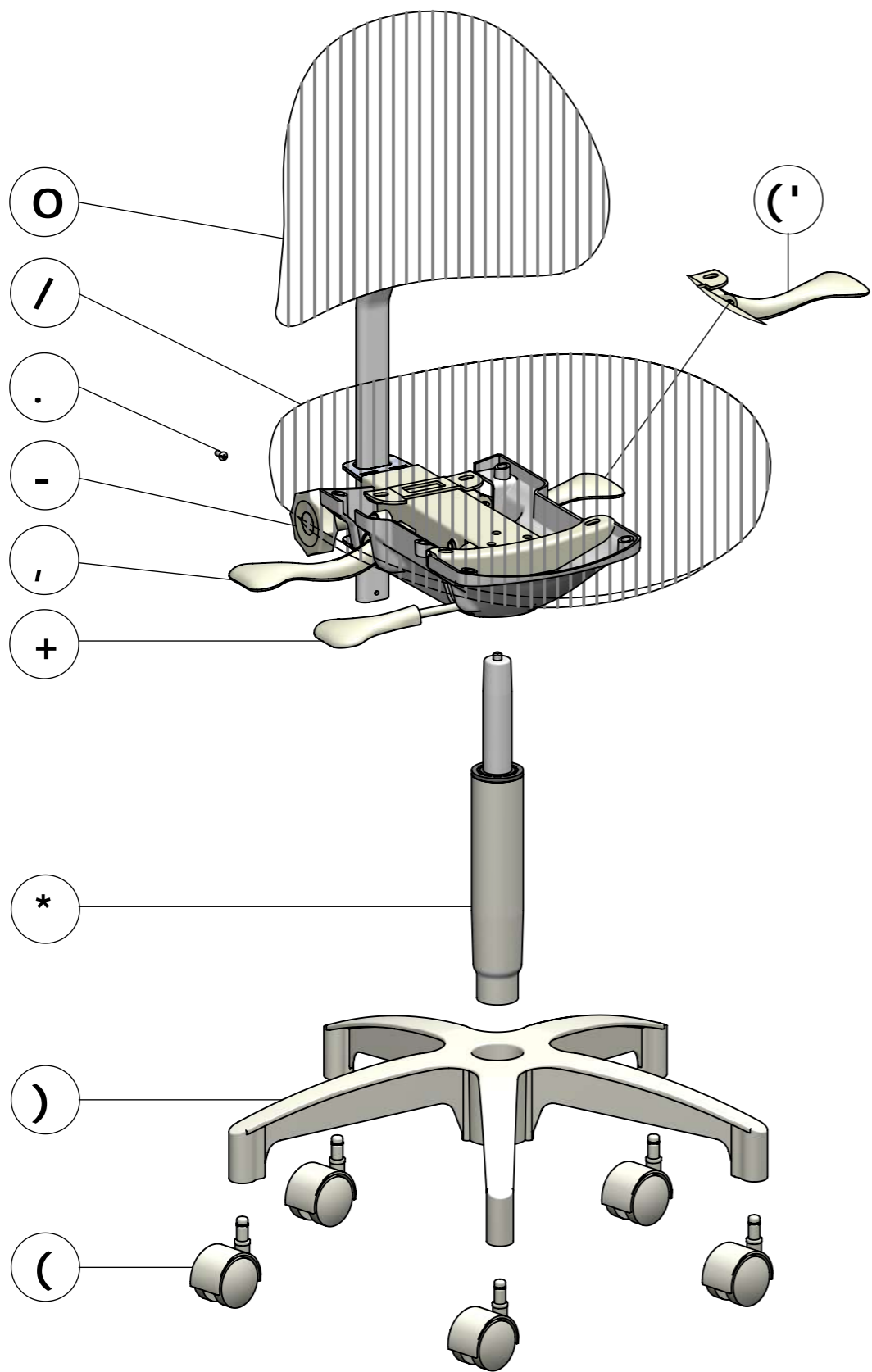


WINBEX® J 9, 5 %\$%

; f Zkf i JKf f c' @j ki Zkf ej



K_j jkf f ci\hl i\j X'cd k\ Xd fl ek'
f]Xjj \d Yφ%
GΔXj \i\X[k_\`ej ki Zkf ej \eZdf j\ [1

8jj \d Yφ @j ki Zkf ej

(%8kkXZ_in_\g (f ekf YXj\)
) % @j \ik^Xj Zpčē [\i * `ekf YXj\)
* % GΔZ\ j \Xk / žn `k_d \Z_Xe`jd Xj j \d YΔ [ž
`f ekf ^Xj Zpčē [\i *
+ % \d f m` j kf gg`e^ j Zi\ n . Xe [`gl k`kXj ` \
Δ `9\ ZXi\ | ck_Xkj klg`+`j `l e [\ikXb\ e`Y\] fi \
`XkkXZ_`e^`YXZb`) ž klg` , ž f ekf `d \Z_Xe`jd
, %8kkXZ_`YXZb` l gi`^_k` (f ekf `d \Z_Xe`jd
- % GΔZ\ j Zi\ n . YXZb`Xe [`] Xj k\ e`

JKf f c' =l eZkf e 8 [d j kd \ekj

J\Xk? \^_k

K_\`_\`^_kf] k_\`j\Xkd XpY\ X[d j k\ [Yp'gl cē^`
_\`^_kX[d j kd \ek`Δm\i + I gn Xi [j `Xe [`Yp`
Xggp`e^&\d f mē^`gi\jj l i\`fe`k_\`j\Xk l ekck_\`
i\hl i\ [_\`^_k` j XkkX`e\ [%

J\Xk`K`d

J\Xkn `k_ , [\^i\ \j `f] fin Xi [`k&Xe [- [\^i\ \j`
i\Xin Xi [Yp'gl j_`e^`_Xe [Δ `Δm\i ([f n en Xi [j`
kf `i] i\] d Xk `k_\`k&Xe [`gl cē^` l gn Xi [j `kf`
l ekck_\` [\Xcn fib`e^`gfj`kf ej `j` XkkX`e\ [%

9XZb`D f m`d \ek

9XZb`n `k_ (` [\^i\ \j `f] fin Xi [`d f m`d \ekXe [` (+
[\^i\ \j i\Xin Xi [Yp'gl j_`e^`_Xe [Δ `Δm\i ([f n en Xi [j`
kf `i] i\] d Xk `k_\`d f m`d \ekXe [`gl cē^` l gn Xi [j `kf`
i\ \$f Zb`n_`e`k_\`i\hl i\ [`gfj`kf e`j` XkkX`e\ [%

9XZb`? \^_k

K_\`_\`^_kf] k_\`YXZb`d XpY\ X[d j k\ [Yp`dfj\ e`e^`
X[d j kd \ek`bef Y (Xe [`j c [`e^`k_\` l gi`^_k\ Y\ l g&f ne
Xe [_\`d `e`gΔZ\ Yp`_Xe [`k`^_k\ e`e^`X[d j kd \ek`bef Y (%

N @ 9<O: F I GFI 8K@ E

O, #E Xe^Xe^`*i [`I [%E Xe^Xe^`@ [I j ki`XcGXib#
E Xekf l : `kp, +` - . #KX`n Xe
K&'' // - \$+O\$) -' O* / `''''` =&'' // - \$+O\$) -' +* (`''''`
<&n`eY\o7 n`eY\o%f d %n `''''`N &n`eY\o%f d